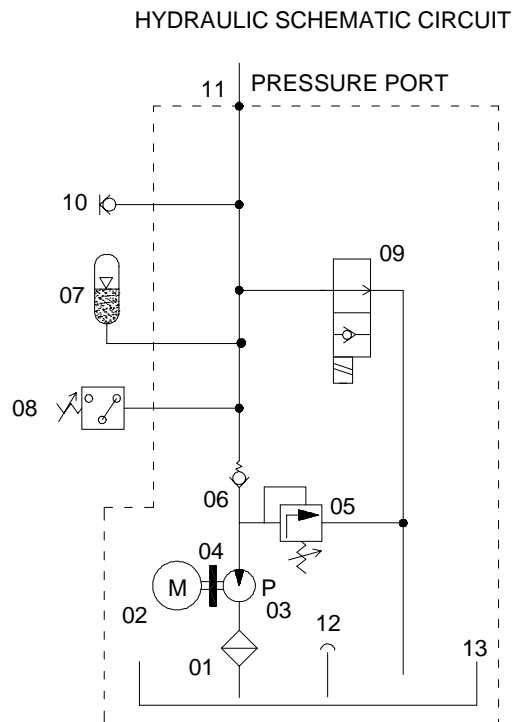
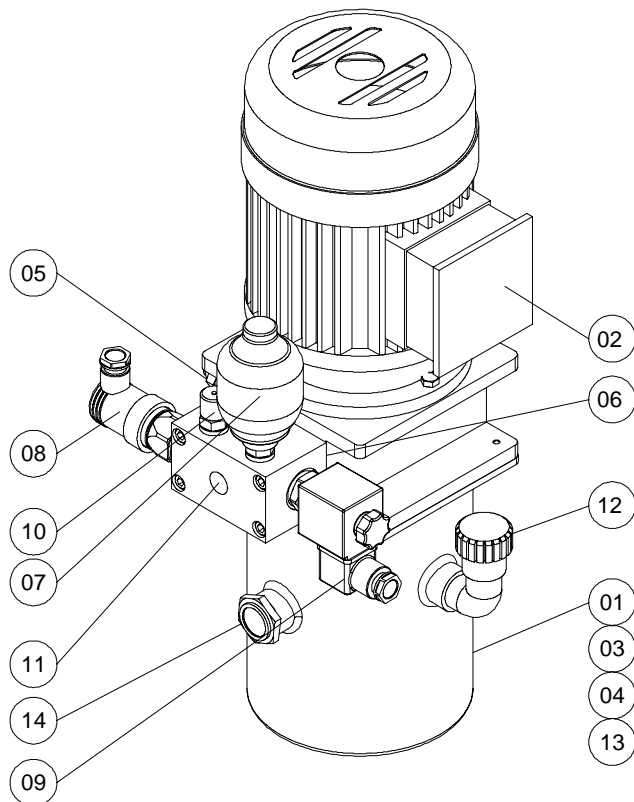


<b>Cat.: 8404</b>	<b>Model:</b>	<b>Part Code:</b>
<b>Hydraulic Power Pack</b>	<b>K-HPP-160</b>	<b>8404.01.002</b>



**Operating Voltage:**

- 1) Solenoid: 24 VDC
- 2) Motor: 415 VAC (3 Phase)

**Max Pressure: 160 bar**

Sr No	Part Name	Specification	Qty/Assy
01	Filter	10 Microns	1 No.
02	Electric Motor	0.75 HP / 1500 rpm	1 No.
03	Gear Pump	OP: 6004	1 No.
04	Coupling	Size: No19	1 No.
05	Relief Valve	200 bar	1 No.
06	Cartridge Check Valve	1/4" BSP	1 No.
07	Accumulator	0.5 Litre	1 No.
08	Pressure Switch	200 bar max.	1 No.
09	Solenoid Valve	3/2 Way 24 VDC	1 No.
10	Mini mess Coupling	1/4" BSP	1 No.
11	Pressure Port	3/8" BSP	1 No.
12	Oil Fill Breather	1/2" BSP	1 No.
13	Oil Tank	1.5 Liters	1 No.
14	Oil Level Indicator	1/2" BSP	1 No.



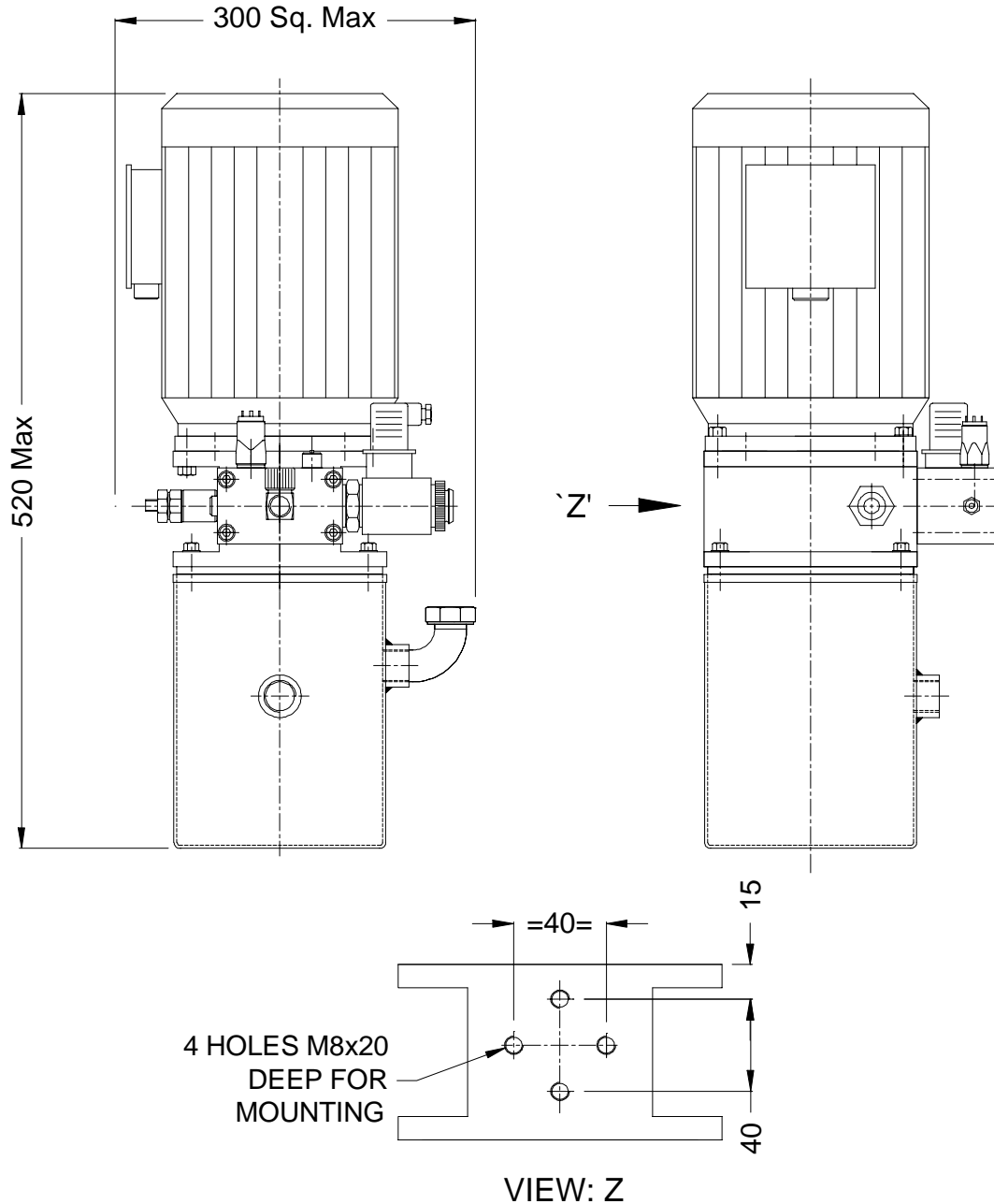
**KATEEL Engineering Industry Private Limited**

19/20, R.Bhadrapa Estate, Kamakshipalya, Magadi Main Road,  
Bangalore – 560079  
INDIA

Ph: +91-80-23481305, 23484179 Fax: +91-80-23481305, 23218044  
Email: info@kateel.com, kateel@blr.vsnl.net.in web: www.kateel.com

<b>Cat.: 8404</b>	<b>Model:</b>	<b>Part Code:</b>
<b>Hydraulic Power Pack – for Caliper Disc Brakes</b>	<b>K-HPP-160</b>	<b>8404.01.002</b>
<b>Function:</b>		
<p>When the motor (02) is energized, the pressurized oil is pumped from the gear pump (03), this oil is flows through the pressure relief valve (05), this relief valve controls the out pressure (can be set). The excess pressure is drained back to the tank. The pressurized oil flows to the Solenoid operated valve (09). When the solenoid valve (09) is energized, the oil flows to the pressure port (11) and to the Accumulator (07). The function of the Accumulator (07) is to compensate minor leakages. Brake is connected to the pressure port (11) of the hydraulic power pack, and it controls the brake open close functions.</p>		

**Dimensions:**



**KATEEL Engineering Industry Private Limited**

19/20, R.Bhadrappe Estate, Kamakshipalya, Magadi Main Road,

Bangalore – 560079

INDIA

Ph: +91-80-23481305, 23484179 Fax: +91-80-23481305, 23218044

Email: info@kateel.com, kateel@blr.vsnl.net.in web: www.kateel.com